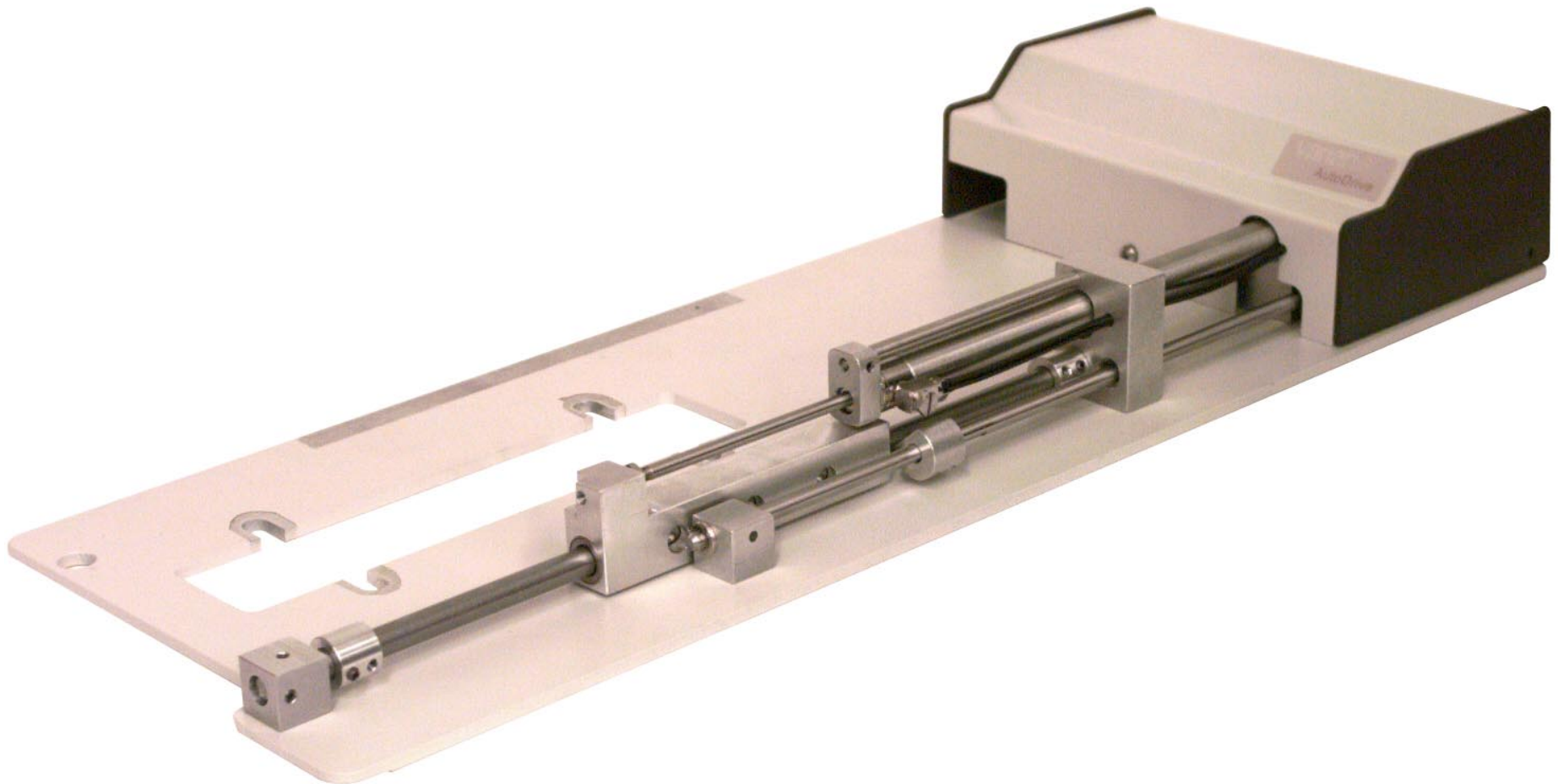
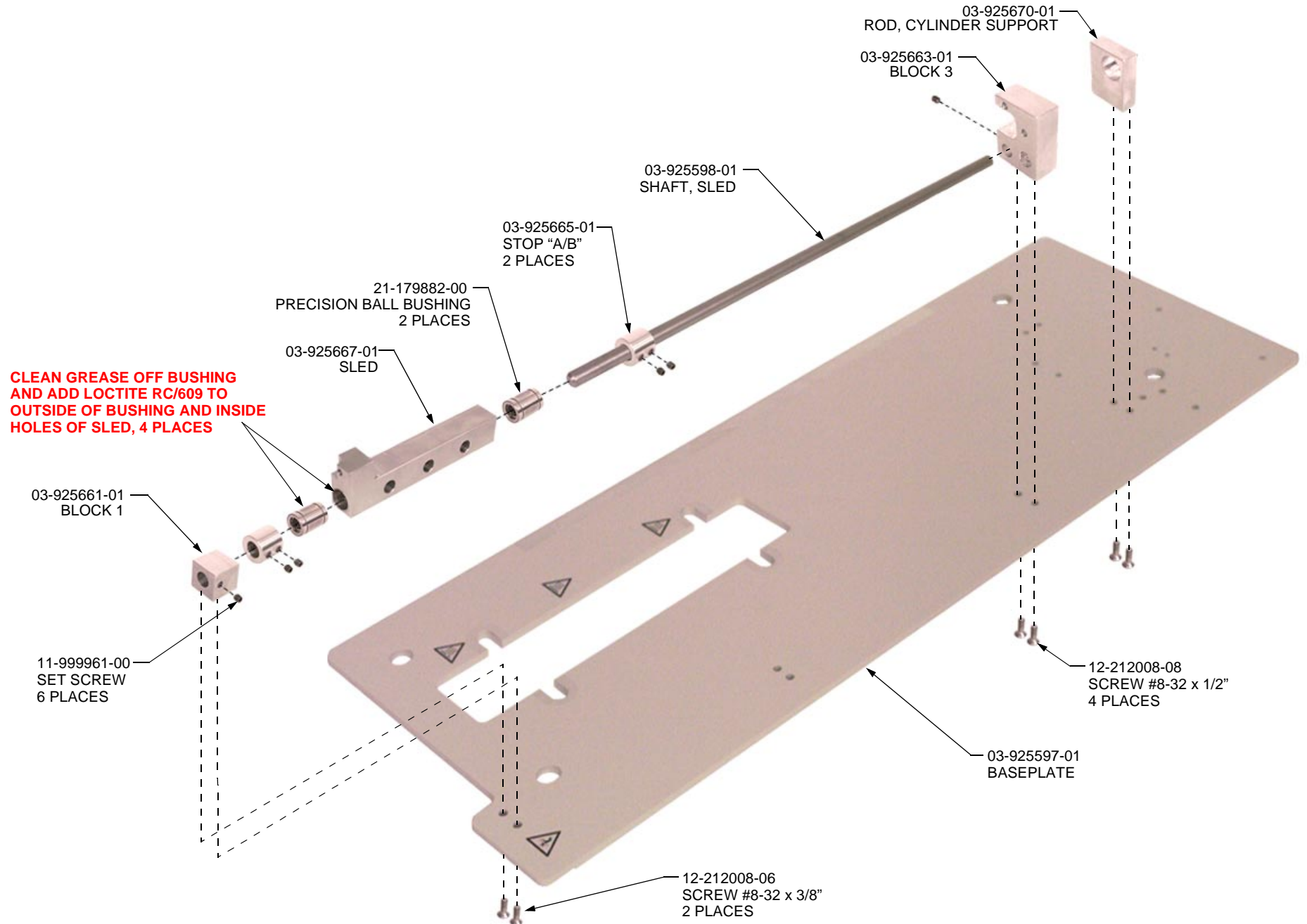
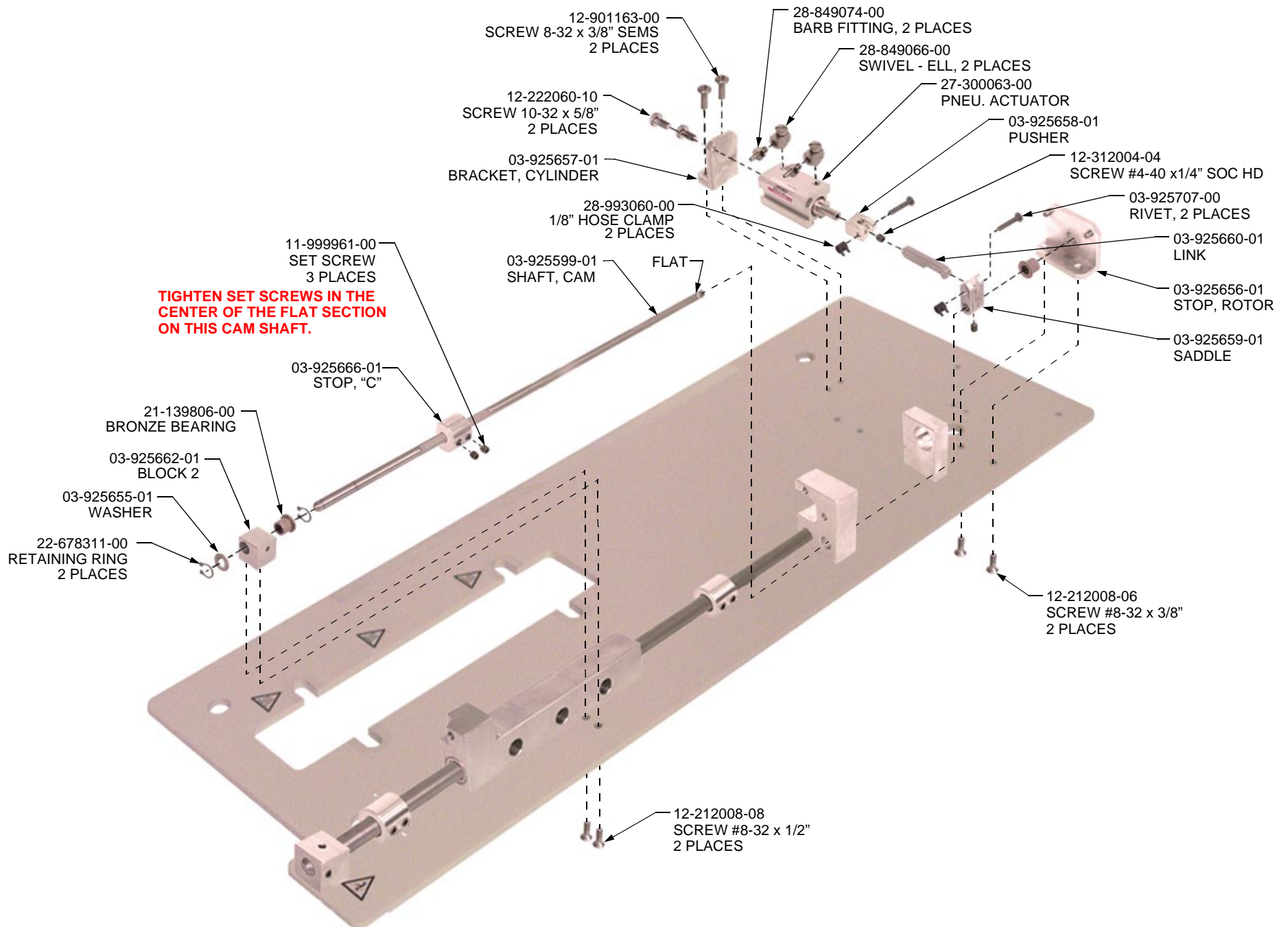


AUTODRIVE SUB-ASSEMBLY

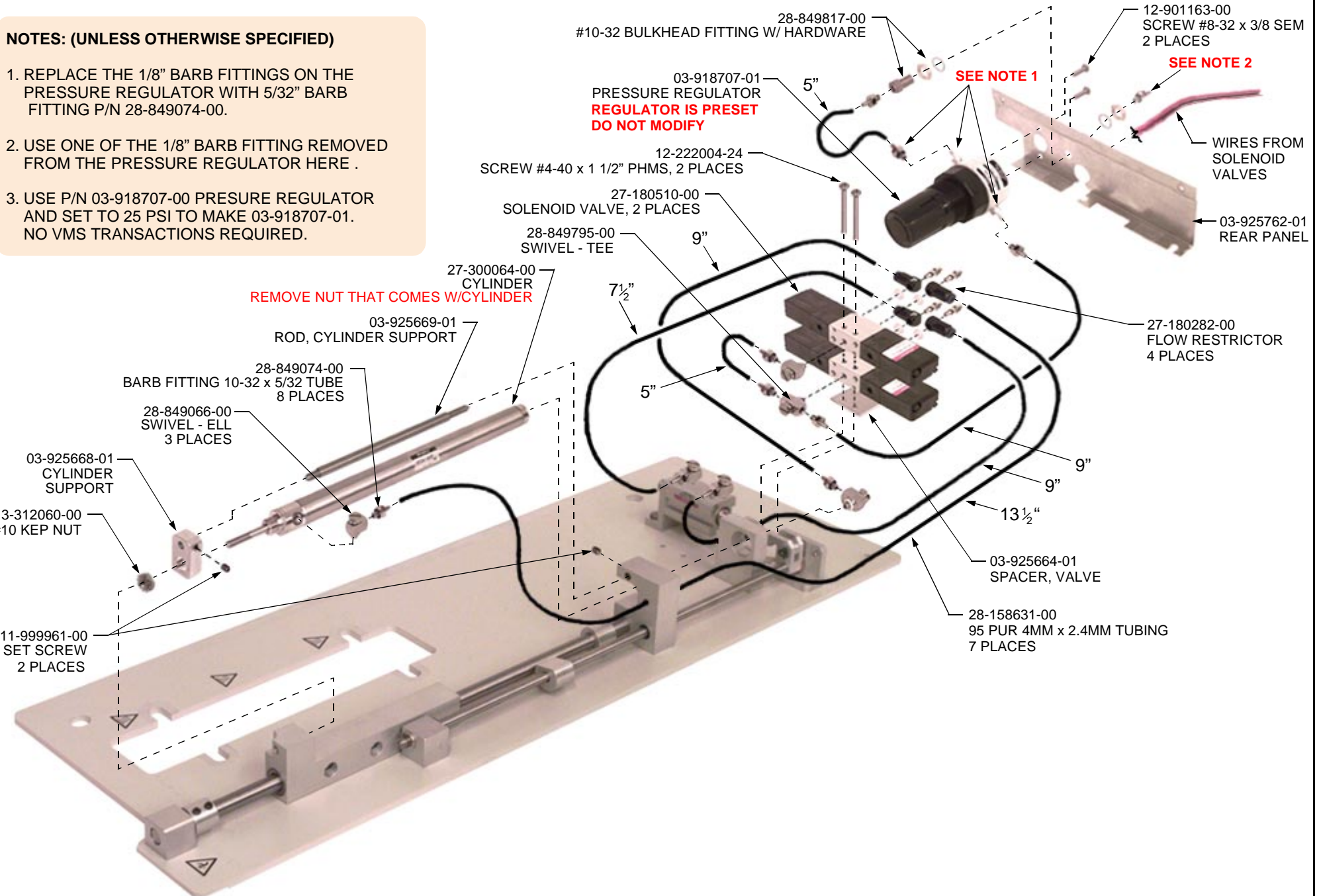


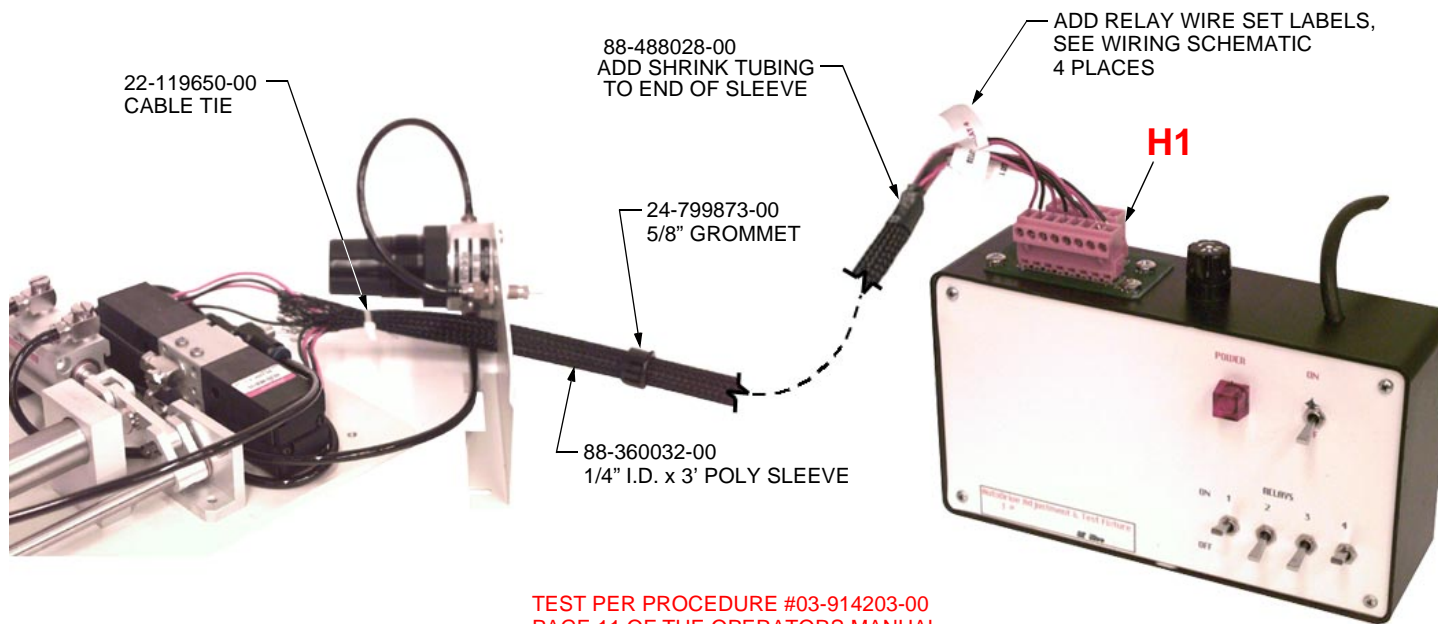




NOTES: (UNLESS OTHERWISE SPECIFIED)

1. REPLACE THE 1/8" BARB FITTINGS ON THE PRESSURE REGULATOR WITH 5/32" BARB FITTING P/N 28-849074-00.
2. USE ONE OF THE 1/8" BARB FITTING REMOVED FROM THE PRESSURE REGULATOR HERE .
3. USE P/N 03-918707-00 PRESURE REGULATOR AND SET TO 25 PSI TO MAKE 03-918707-01. NO VMS TRANSACTIONS REQUIRED.





TEST PER PROCEDURE #03-914203-00
PAGE 11 OF THE OPERATORS MANUAL.

WIRING SCHEMATIC

